

Housings

for position indicator, technopolymer

MATERIAL

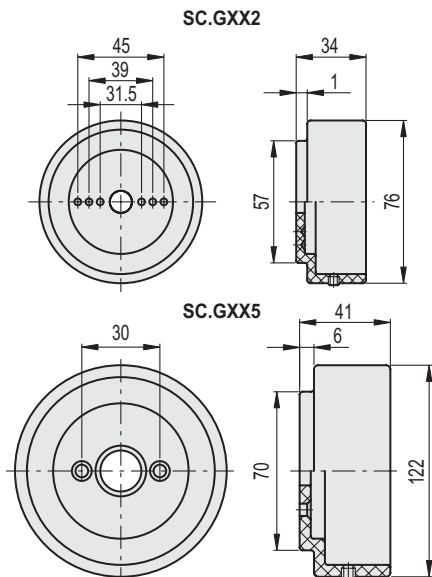
Glass-fibre reinforced polyamide based (PA) technopolymer, black colour, matte finish.

STANDARD EXECUTIONS

- **SC.GXX2:** three couples of dimples on the bottom of the housing (to drill according to the type of indicator) and two supplied M4x14 countersunk head screws.
- **SC.GXX5:** two holes for supplied M4x14 countersunk head screws.

APPLICATIONS

SC-XX housings are suitable with gravity indicators on any handwheel or other control devices.



Code	Description	⚖️	Handwheel indicator combinations
CE.40002	SC.GXX2	72	GA02 - GA12 - GW12
CE.40005	SC.GXX5	191	GA05

Covers

Technopolymer

MATERIAL

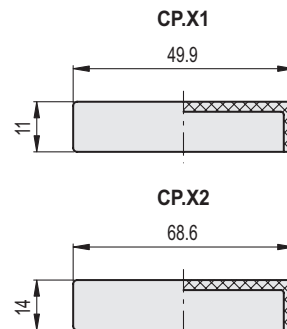
Polyester based (PBT) technopolymer, light grey colours, matte finish.

MOUNTING

Push-fit. The cover can be removed by using a screwdriver in the proper cavity.

APPLICATIONS

CP-XX covers are suitable for closing the indicator housing when the indicator is not required.



Code	Description	⚖️	Handwheels/knobs combinations
CE.40101	CP.X1	6	IZN.60-MBT.60-VHT.85
CE.40102	CP.X2	11	IZN.80-MBT.80-VHT.110-VDSC-XX - EWW-XX



6 Rotary controls